



Lightweight, heavy duty inspection pit

The lightweight, heavy duty inspection pit with its unique design has resulted in performance capabilities superior to the traditional concrete pit, at a similar cost. Manufactured from a high performance polymer, the lightweight, heavy duty inspection pit is UV stable and chemical resistant.

The lightweight pit weighs only 1.8 kg and yet is load rated to an impressive 5,000 kg. It has a lockable lid and improved working area compared to the concrete inspection pit.

In addition, the features incorporated within its design ensure ease of storage, reduced transportation costs, ease of installation and ease of subsequent inspection and testing of the earth electrode system, therefore providing significant practical benefits to both installers and specifiers alike.

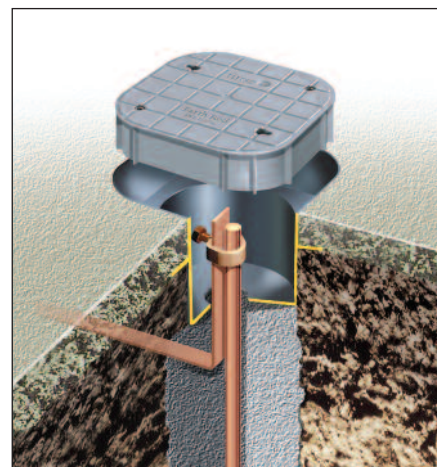




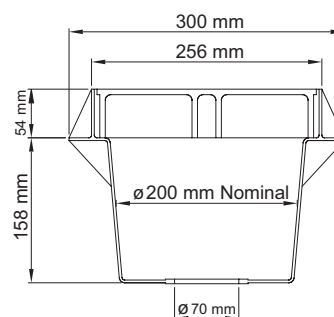
Furse lightweight, heavy duty inspection pit

Features and benefits

- Lightweight construction**
 The earth pit weighs only 1.8 kg, in comparison with a massive 30 kg for a concrete pit.
- High load-bearing capacity**
 Safe working load of 5,000 kg, superior to that of the traditional concrete pit.
- Lockable jam free lid**
 Once installed the lid can be locked to prevent tampering with equipment. Once locked, the design of the lid is such that debris cannot become jammed between the lid and the surround.
- Shatterproof material**
 The high performance polymer is significantly less brittle than concrete, reducing the likelihood of wastage due to breakages.
- Stackable design**
 A built-in stacking facility ensures ease of storage and handling.
- Chemical resistance**
 Resistant to most substances, including petrol, oil, diesel, bitumen and concrete.
- UV Stability**
 UV additive minimizing the effects of direct sunlight.
- Wide temperature applications**
 Capable of withstanding a wide range of temperatures.
- Improved working area**
 A larger working area, with improved access, simplifies both initial installation and subsequent inspection.
- Central 70 mm diameter rod location hole**
 This ensures that the Earth Rod is centrally positioned, simplifying earth clamp connection.
- Screw retention facility**
 The stainless steel, rustproof screws may be snapped into the lid, preventing loss whilst in storage or on site. The screws may also be used to lift off the lid using special sockets.
- Optional earth bar facility**
 An earth bar may be inserted in the pit to allow for multiple connections to the earth rod.
- Quality guarantee**
 Fully compliant to BS EN 62305-3 and tested to BS EN 50164-5.



Recommended to be bedded in concrete. Installation instructions are incorporated on the side of the Inspection Pit base.



Patent No: GB 2261240 and EP 0541350

Lightweight, heavy duty inspection pit

Description	Weight each	Part No.
Lightweight, heavy duty inspection pit with grey lid, branded Furse	1.80 kg	PT205
Lightweight, heavy duty inspection pit with grey (unbranded) lid	1.80 kg	PT209
Lightweight, heavy duty inspection pit with black (unbranded) lid	1.80 kg	PT309-FU

Accessories

Description	Weight each	Part No.
5 hole earth bar	0.40 kg	PT004
6 mm Allen key	0.03 kg	AK005

Thomas & Betts Ltd, Furse, Wilford Road, Nottingham, NG2 1EB, UK
 Tel +44 (0)115 964 3700 • Fax +44 (0)115 986 0538
 Email enquiry@furse.com • Web www.furse.com
 © Thomas & Betts Corp. 2010. All Rights Reserved